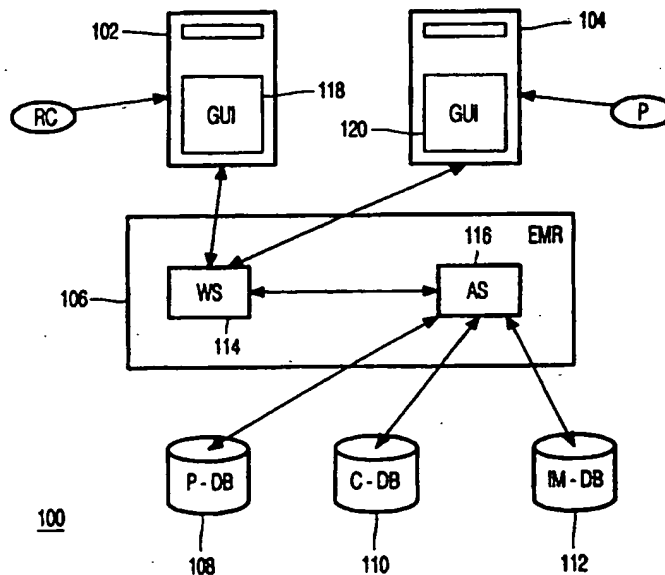




INTERNATIONAL APPLICATION PUBLISHED UNDER THE PATENT COOPERATION TREATY (PCT)

<p>(51) International Patent Classification <sup>6</sup> : <b>G06F 17/30</b></p>	<p><b>A1</b></p>	<p>(11) International Publication Number: <b>WO 99/42933</b> (43) International Publication Date: 26 August 1999 (26.08.99)</p>
<p>(21) International Application Number: PCT/IB99/00240 (22) International Filing Date: 11 February 1999 (11.02.99) (30) Priority Data: 09/025,376 18 February 1998 (18.02.98) US (71) Applicant: KONINKLIJKE PHILIPS ELECTRONICS N.V. [NL/NL]; Groenewoudseweg 1, NL-5621 BA Eindhoven (NL). (71) Applicant (for SE only): PHILIPS AB [SE/SE]; Kottbygatan 7, Kista, S-164 85 Stockholm (SE). (72) Inventors: BAR-GADDA, Uzi; Prof. Holstlaan 6, NL-5656 AA Eindhoven (NL). WONG, Stephen; Prof. Holstlaan 6, NL-5656 AA Eindhoven (NL). YU, James, Y-P.; Prof. Holstlaan 6, NL-5656 AA Eindhoven (NL). (74) Agent: COHEN, Julius, S.; Prof. Holstlaan 6, NL-5656 AA Eindhoven (NL).</p>		<p>(81) Designated States: CN, JP, European patent (AT, BE, CH, CY, DE, DK, ES, FI, FR, GB, GR, IE, IT, LU, MC, NL, PT, SE).  <b>Published</b> <i>With international search report. Before the expiration of the time limit for amending the claims and to be republished in the event of the receipt of amendments.</i></p>

(54) Title: INDEXING AND WEB-TECHNOLOGIES CONTROL INTERACTING WITH DATABASE



(57) Abstract

Multiple users interact through a medical electronic records database system. A first user sends to a second user an electronic notification having a pointer to a record. The notification is being delivered through push technology. The second user uses the pointer to retrieve the record through pull technology. The notification is being indexed in the database system as related to the record. The users can personalize the modality of the push and pull technologies.

**FOR THE PURPOSES OF INFORMATION ONLY**

Codes used to identify States party to the PCT on the front pages of pamphlets publishing international applications under the PCT.

AL	Albania	ES	Spain	LS	Lesotho	SI	Slovenia
AM	Armenia	FI	Finland	LT	Lithuania	SK	Slovakia
AT	Austria	FR	France	LU	Luxembourg	SN	Senegal
AU	Australia	GA	Gabon	LV	Latvia	SZ	Swaziland
AZ	Azerbaijan	GB	United Kingdom	MC	Monaco	TD	Chad
BA	Bosnia and Herzegovina	GE	Georgia	MD	Republic of Moldova	TG	Togo
BB	Barbados	GH	Ghana	MG	Madagascar	TJ	Tajikistan
BE	Belgium	GN	Guinea	MK	The former Yugoslav Republic of Macedonia	TM	Turkmenistan
BF	Burkina Faso	GR	Greece	ML	Mali	TR	Turkey
BG	Bulgaria	HU	Hungary	MN	Mongolia	TT	Trinidad and Tobago
BJ	Benin	IE	Ireland	MR	Mauritania	UA	Ukraine
BR	Brazil	IL	Israel	MW	Malawi	UG	Uganda
BY	Belarus	IS	Iceland	MX	Mexico	US	United States of America
CA	Canada	IT	Italy	NE	Niger	UZ	Uzbekistan
CF	Central African Republic	JP	Japan	NL	Netherlands	VN	Viet Nam
CG	Congo	KE	Kenya	NO	Norway	YU	Yugoslavia
CH	Switzerland	KG	Kyrgyzstan	NZ	New Zealand	ZW	Zimbabwe
CI	Côte d'Ivoire	KP	Democratic People's Republic of Korea	PL	Poland		
CM	Cameroon	KR	Republic of Korea	PT	Portugal		
CN	China	KZ	Kazakstan	RO	Romania		
CU	Cuba	LC	Saint Lucia	RU	Russian Federation		
CZ	Czech Republic	LJ	Liechtenstein	SD	Sudan		
DE	Germany	LK	Sri Lanka	SE	Sweden		
DK	Denmark	LR	Liberia	SG	Singapore		
EE	Estonia						

Indexing and web-technologies control interacting with database.

## FIELD OF THE INVENTION

The invention relates to a method for accessing, through a client-server architecture, multimedia data distributed across heterogeneous databases. The invention relates in particular to such a method within an electronic medical record (EMR) environment.

5

## BACKGROUND ART

The ongoing development in the medical fields of diagnostics and therapy has led to an ever increasing number of techniques, and to dramatic changes in the delivery of health care and in the payment for health care services. Medical documents have become inherently multimedia, ranging from structured written reports and free text to non-  
10 alphanumeric data such as medical images, video streams, physiologic monitoring signals, voice dictation and graphics. The result of all this is that the complexity of managed care and of patient information has expanded greatly. Paper- and film-based recording systems and isolated, individual departmental information managing systems seem to have reached the  
15 point that they are no longer adequate in meeting the needs of integrated care.

## OBJECT OF THE INVENTION

Hospitals and care provider organizations need a new information model to communicate, distribute, and manage correlated patient information items in an efficient and  
20 cost-effective manner, while maintaining or even improving the quality of care. Therefore, it is an object of the invention to provide a method of managing interaction with electronic record databases.

## SUMMARY OF THE INVENTION

25 To this end, the invention provides a method of interacting between multiple users through an electronic records database system. A first user sends to a second user an electronic notification having a pointer to a record. The notification is being delivered through a push technology. The second user uses the pointer to retrieve the record through a pull technology. The notification is being indexed in the database as related to the record. If the

first user sends an electronic message in response to the notification, to e.g., a third user, the message is indexed in the database as related to the record. Preferably, the notification is customized according to a specification by the second user with regard to a modality of reception by the second user, the specification having been stored in the database. The modality may relate to, e.g., electronic receiving equipment of the second user, or to a temporal relevance of the notification.

The invention is based on the following insights. The World Wide Web (or the Web) is the vast collection of electronic information resources accessible on the Internet through a client-server architecture. A client-server computer architecture is an information processing system with a server computer that enables processing power, data files and program files to be shared among multiple client computers interconnected to the server through a network. The Web is interacted with typically using a pull technology. The term "pull technology" refers to the mode of interaction according to which the user clicks the links on the Web to request the server to send information. That is, the user has to request for each piece of information that he/she needs to access, typically after querying the Web. Browsing the Web and using bookmarks are examples of the pull model. On the other hand, "push-technology" is data distribution according to which selected data is delivered automatically to the user's computer. This type of delivery is also referred to as "webcasting". Delivery of data can be at prescribed intervals or can be based on some prescribed events. An example of push-technology is PointCast, which is an Internet service for periodically pushing selected news and stock quotes into a subscriber's machine. Marimba's Castanet provides a push delivery for updating applications as well as distributing publishing content.

The invention now combines push-technology and pull-technology and automatic indexing services in a single architecture. The architecture creates an efficient procedure to manage and access the large numbers of records distributed among multiple locations and available in a variety of formats on a web-based networked system. The messaging between users is automatically indexed to keep the database up to date. For relevant Web-related technologies, especially as applied to the medical environment, see for example, U.S. patent applications Ser. No's 08/785,459 (PHA 23,217 [personalizing intranet websites]); 08/871,035

(PHA 23,255 [biometrics]); and 08/924,867 (PHA 23,273 [authentication & security]), incorporated herein by reference.

## BRIEF DESCRIPTION OF THE DRAWINGS

The invention is explained by way of example and with reference to the accompanying drawings, wherein:

Fig.1 is a block diagram of a system architecture in the invention;

5

Fig.2 is a workflow diagram illustrating the messaging procedure in the system.

Throughout the figures, same reference numerals indicate similar or corresponding features.

## 10 PREFERRED EMBODIMENTS

An example of a field of application in the invention relates to medical records. The current trend in managing electronic medical records is towards distribution across networked information systems, especially as driven by the Integrated Delivery Network (IDN) in the healthcare industry. Tracking of the records becomes one of the largest overheads  
15 in the medical environment. Due to the huge amount of data including audio, video, graphics images and text reports, some or all involving mission critical criteria, current pushing technology is not appropriate. According to the invention, by using the Web-based technologies the medical specialist can subscribe to receipt of the required data. The indexing to those data is organized and pushed to those subscribers whenever it is available. The  
20 subscribers can set the criteria on the relevance of the data. The subscribers are notified by this system when the deadline to deliver the data has passed because of the unavailability of the data. The subscribers can be notified according to their preferences listed in a user personalization profile. More specifically, the user can personalize the way wherein he or she interacts with the system through push technology and pull technology. For example, the user  
25 can specify what information is to be received, how to get the information (pager, email, voice, etc.). This is illustrated below.

### Block diagram

Fig.1 is a block diagram of a system 100 according to the invention. System  
30 100 supports automatic notification and indexing services of patient records and consultation notes. In case of an event that needs attention from clinical personnel, system 100 notifies one or more specific users through push technology, for example, by means of selective transmission of emails that have pointers to relevant pages of medical records accessible on the Web. The specific user can then pull the medical records by clicking the pointers. To this

end, system 100 comprises client devices, e.g., devices 102 and 104, server equipment 106 and databases 108, 110 and 112. Devices 102-104 communicate with databases 108-112 via server equipment 106. Server equipment 106 has a Web server (WS) 114 and an application server (AS) 116. Web server 114 is a computer running a server program whose sole purpose is to  
5 serve document data to a client computer, such as device 102 or 104, in response to receiving a request for that document. Application server 116 is a computer that provides access to application software. An action specified at client device 102 or 104 can run an application on application server 116. Devices 102-104 comprise Web browsers 118 and 120, respectively, each with an appropriate GUI. Devices 102-104 comprise, for example, a desktop PC, a  
10 palmtop PC, a PDA, a wireless device, a set-top box, or any other device with Web browser capability, a pager, or a telephone answering machine. Database 108 comprises a personalization database (P-DB) that contains the user preferences and access privilege information as explained below. Database 110 comprises one or more clinical databases (C-DB) that store patient records and images. Database 112 comprises an indexed mail database  
15 IM-DB that contains formatted email messages and indices (pointers, links) to large, relevant patient data and images referred to in the email messages and archived in clinical database 110.

Application server 116 automatically keeps track of the events in databases 108-112, e.g., update of medical records of specific patient. Server 116 notifies the involved  
20 clinicians with email messages (i.e. through push technology) that comprise embedded links or pointers to large patient data files in database 110 (i.e., retrievable through pull technology). Besides using emails for notification, application server 116 can also page or make a telephone call to the relevant users. The pager numbers and telephone numbers of the users are stored in personalization database 108. A simple memo in the form of an alphanumeric message can be  
25 sent to the receiver's pager along with source contact information, such as the phone number of pager number of another clinician. For voice messaging, application server 116 synthesizes a voice by translating textual messages into audio signals and dials the telephone numbers of the relevant receivers. Which way for notification is being used is, in this example, user-dependent and can be specified in advance by storing user-preferences in personalization  
30 database 108.

Workflow procedure

Operation of system 100 is illustrated below with reference to Fig.2, discussing the procedural steps of electronic communication of personalized medical records for a clinical consultation.

5 In step 202 an email message is constructed. For example, a patient consults a physician and after the patient encounter, the physician sends one or more email messages to one or more specific clinicians, e.g., a specialist and a nurse. The email relates to multimedia data, including graphics, audio and video. Such an email message contains a first part and a second part. The first part has a clinical statement on the patient and contains one or more  
10 links to be clicked on to retrieve relevant patient data stored in database 110. The second part lists action items requested by the referring physician. For example, the clinical statement of the email message contains observation data resulting from the consult and, in addition, a request for an X-ray study on the patient and pointers to previous X-ray reports and images of the patient relevant to the case. An action item is for receipt by a referred radiologist to  
15 perform an X-ray study on the patient and requests to send a diagnosis immediately back to the referring physician for prognosis.

In step 204 the email message is delivered to the referred clinicians. There are a variety of ways to deliver the message, depending on, for example, the urgency of the case. First, the referring clinician can request system 100 to page the receiver once the message has  
20 been sent. Second, the referring clinician can specify the time to page the receiver before the occurrence of a certain event. For example, two hours before a scheduled surgery on the patient the radiologist would like to ensure the surgeon to read the diagnostic interpretation of the latest MRI study performed on that patient. Third, the referring physician simply sends the message without any specified period of notification, as in typical email use. On the other  
25 hand, a clinician can specify in personalization database 108 how long before a certain event he or she would like to be notified.

In step 206 the email message is received and relevant data is retrieved. The referred clinician receives the email message, studies the attached observations and clicks on the relevant links in order to retrieve patient data of interest for review, e.g., previous  
30 diagnostic reports of the patient's X-ray studies. The referred clinician then responds to the request of the referring physician, e.g., by interpreting the results of the latest X-ray study on the patient. The formal report can be updated in database 110 using existing procedures for hospital information systems. However, for fast response and additional comments outside the formal reporting structure, the referred clinician can append summaries or comments of the

study to the initiator's email and forward them to the initiator and to other relevant parties. Email database 112 keeps an audit trail of such messages.

In step 208, a message folder reply (RPL) is created and forwarded. The referred clinician composes the reply message with links to new or other relevant patient records in system 100 and delivers the message to the referring physician or forwards the message to the next care provider for the patient in this particular encounter according to procedural step 204.



GUI for Web Browser

The Table presents a view of a GUI for a Web browser for display on a Web-enabled device 102, such as desktop PC, a palmtop PC, e.g., the Velo-1 of Philips Electronics, or a digital TV screen.

5

## Web Browser

Date	From	Subject	Action
Thu Jul 31 14:35 97	Lilly Hoffman	Need to look at the possibility of surgery	View Modality
Wed Jul 30 15:15 97	Bill Smith	An abnormal tumor, need pathology exam	View Modality
Wed Jul 30 10:5 97	James Brown	Please look at this case	View Modality

Reply

New

Delete

Audio

Video

MB

Dr. Tim Grace,  
 A surgery applied to this patient will remove the abnormal tumor. (From Dr. Lilly Hoffman).  
 Please schedule the patient to talk to me about the detail.

ORIGINAL MESSAGE

Dr. Lilly Hoffman, Please look at this case and plan a surgery for this patient. (From Dr. Tim Grace)

ORIGINAL MESSAGE

Dr. Bill Smith, please do a pathology exam. (From Dr. Tim Grace)

ORIGINAL MESSAGE

There is an abnormal tumor, need pathology exam. (From Dr. James Brown)

ORIGINAL MESSAGE

Please do X ray examination on this patient to see if there exists any tumor. (Request from original physician, Dr. Tim Grace)

GUI has fields with labels "Date", "From", "Subject", and "Action", respectively. The Date Field indicates the date and time on which a specific email was sent. The From-Field indicates the name of the sender of the email. The Subject-Field contains the subject of the email. When the user clicks on the underlined subject, GUI shows the email message in a message box MB. The Action-Field contains the underlined pointer to pull relevant patient records from database 110, including diagnosis reports and images. When the user clicks on the pointer, the related reports and images are retrieved from database 110 and are presented to the user through a Web browser application or Java-based applets.

GUI has also buttons, labeled "Reply", "New", "Delete", "Audio" and "Video", respectively. When button is clicked, the original message in the image box is attached to a reply message that the user can enter and send to other users. When the New-button is clicked, the message in the message box is cleared, and the user can enter a new message and specify subject and receiver. The link to the current patient case, which the user is looking at, is attached as the "Action" message. When the Delete-button is clicked the currently selected (i.e., viewed) message is deleted and the next message on the list is retrieved and shown in the message box. When the user clicks on the Audio-button, a new message will be created by recording the dictation from the user, employing a suitable speech-to-text conversion program, or the audio message is stored and forwarded as an audio message (i.e., without using speech-to-text conversion). When the Video-button is clicked, the user is enabled to record his/her video and/or audio data to be sent to the receiver.

## CLAIMS:

1. A method of interacting between multiple users through an electronic records database system, wherein:
  - a first user sends to a second user an electronic notification having a pointer to a record,
  - the notification is being delivered through a push technology;
  - 5 – the second user uses the pointer to retrieve the record through a pull technology; and
  - the notification is being indexed in the database system as related to the record.
  
2. The method of claim 1, wherein:
  - the first user sends an electronic message in response to the notification; and
  - 10 – the message is indexed in the database system as related to the record.
  
3. The method of claim 1, wherein
  - the interacting is personalized according to a specification by the second user with regard to a modality of reception by the second user; and
  - 15 – the specification has been stored in the database system.
  
4. The method of claim 3, wherein the modality relates to a capability of electronic receiving equipment of the second user.
  
- 20 5. The method of claim 3, wherein the modality relates to a temporal relevance of the notification.
  
6. A method of enabling multiple users to interact through an electronic multimedia records database system, the method comprising:
  - 25 – enabling a first user to send to a second user an electronic notification having a pointer to a record,
  - enabling the notification to be delivered through a push technology;
  - enabling the second user to use the pointer for retrieval of the record through a pull technology; and

- enabling the notification to be indexed in the database system as related to the record.

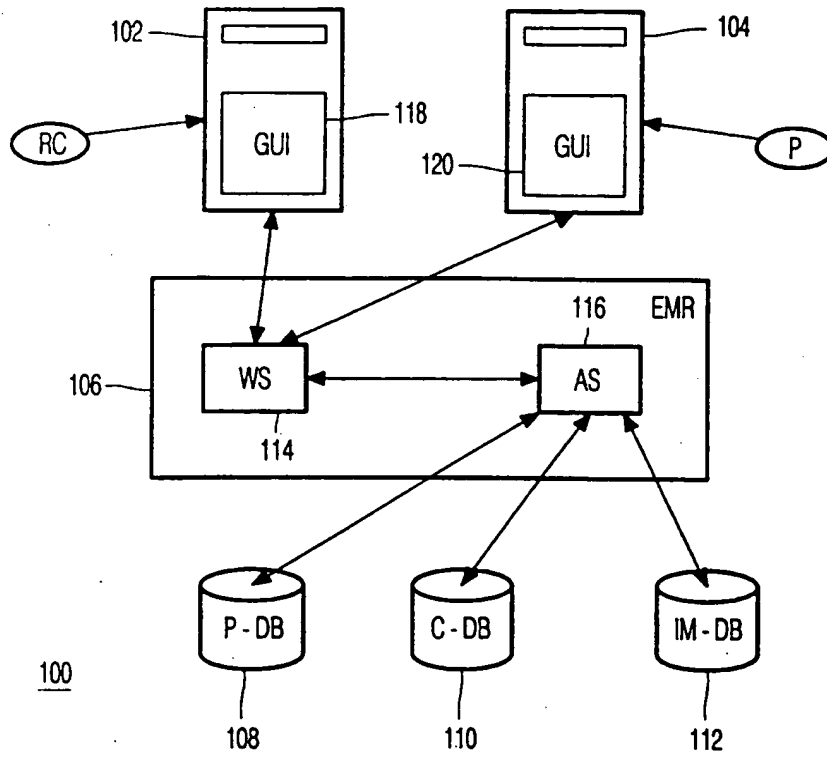


FIG. 1

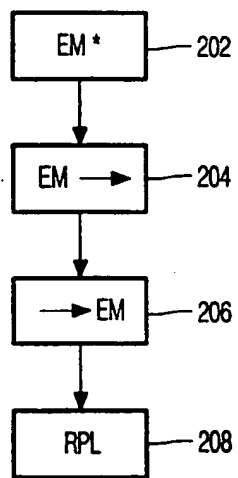


FIG. 2

## INTERNATIONAL SEARCH REPORT

International application No.  
PCT/IB 99/00240

<b>A. CLASSIFICATION OF SUBJECT MATTER</b>		
IPC6: G06F 17/30 According to International Patent Classification (IPC) or to both national classification and IPC		
<b>B. FIELDS SEARCHED</b>		
Minimum documentation searched (classification system followed by classification symbols)		
IPC6: G06F		
Documentation searched other than minimum documentation to the extent that such documents are included in the fields searched		
SE,DK,FI,NO classes as above		
Electronic data base consulted during the international search (name of data base and, where practicable, search terms used)		
<b>C. DOCUMENTS CONSIDERED TO BE RELEVANT</b>		
Category*	Citation of document, with indication, where appropriate, of the relevant passages	Relevant to claim No.
A	WO 9631826 A1 (HIGLEY, THOMAS, K.), 10 October 1996 (10.10.96), page 5, line 5 - line 17; page 8, line 33 - page 9, line 11, claim 1 --	1
P,A	EP 0849689 A2 (SONY CORPORATION), 24 June 1998 (24.06.98), abstract --	1
P,A	JP 11015716 A (TSUTSUMITAKE HIDEYUKI), 22 January 1999 (22.01.99), abstract -- -----	1-6
<input type="checkbox"/> Further documents are listed in the continuation of Box C. <input checked="" type="checkbox"/> See patent family annex.		
* Special categories of cited documents "A" document defining the general state of the art which is not considered to be of particular relevance "E" earlier document but published on or after the international filing date "L" document which may throw doubts on priority claim(s) or which is cited to establish the publication date of another citation or other special reason (as specified) "O" document referring to an oral disclosure, use, exhibition or other means "P" document published prior to the international filing date but later than the priority date claimed "I" later document published after the international filing date or priority date and not in conflict with the application but cited to understand the principle or theory underlying the invention "X" document of particular relevance: the claimed invention cannot be considered novel or cannot be considered to involve an inventive step when the document is taken alone "Y" document of particular relevance: the claimed invention cannot be considered to involve an inventive step when the document is combined with one or more other such documents, such combination being obvious to a person skilled in the art "&" document member of the same patent family		
Date of the actual completion of the international search		Date of mailing of the international search report
2 August 1999		05-08-1999
Name and mailing address of the ISA/ Swedish Patent Office Box 5055, S-102 42 STOCKHOLM Facsimile No. +46 8 666 02 86		Authorized officer Jaana Raivio/MN Telephone No. +46 8 782 25 00

INTERNATIONAL SEARCH REPORT  
Information on patent family members

01/07/99

International application No.  
PCT/IB 99/00240

Patent document cited in search report	Publication date	Patent family member(s)	Publication date
WO 9631826 A1	10/10/96	CA 2250853 A US 5790793 A	10/10/96 04/08/98
EP 0849689 A2	24/06/98	JP 10177600 A	30/06/98
JP 11015716 A	22/01/99	NONE	